

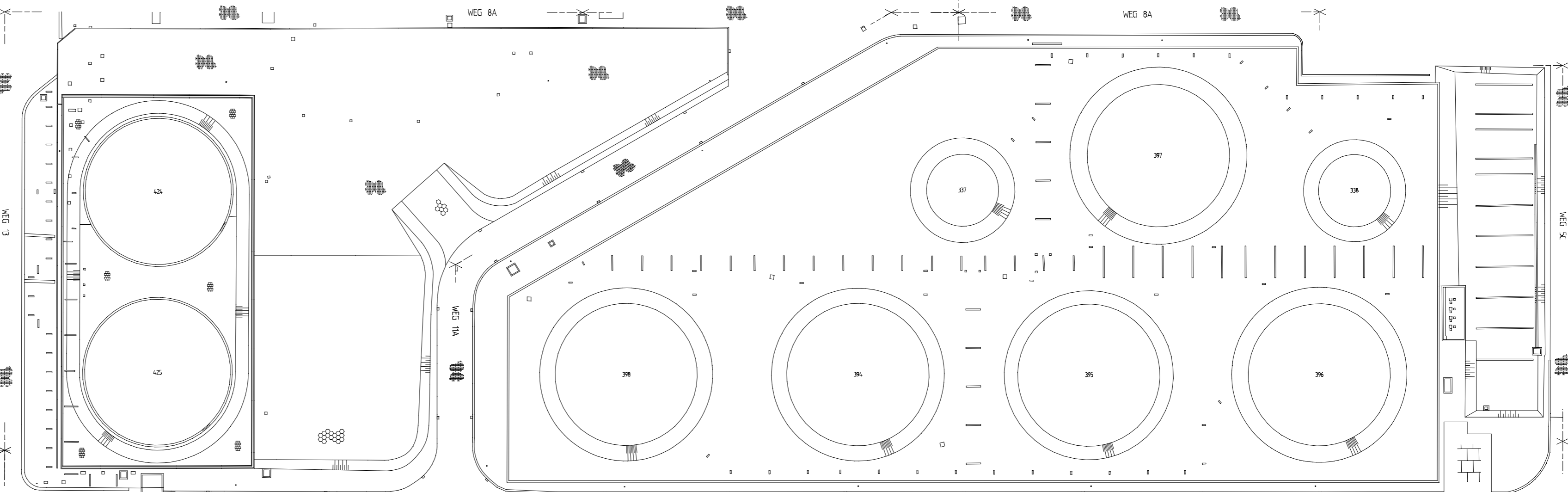
A B C D E F

1

1

2

2



JETTY 5

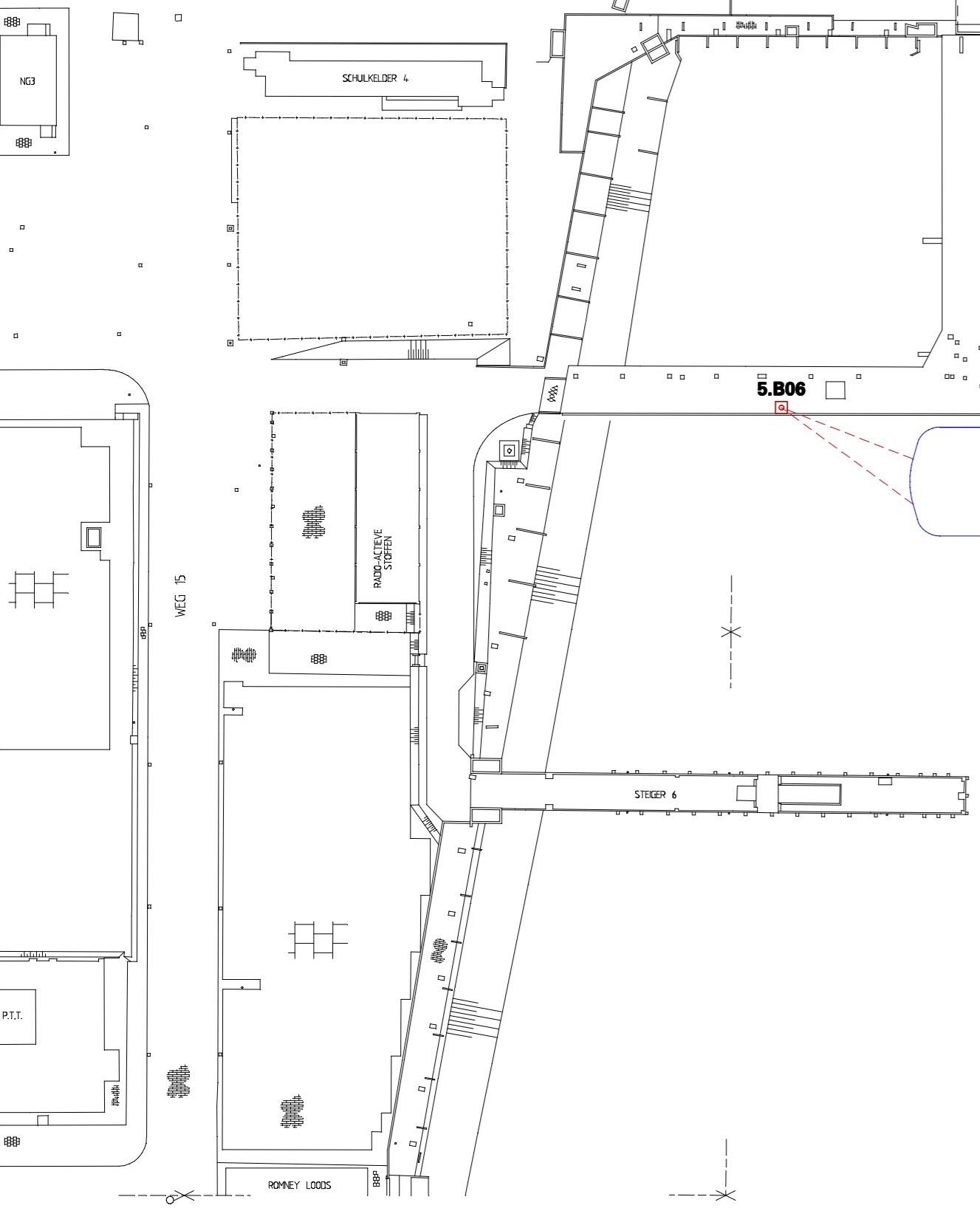
LOA - 110m

5.B06 5.B05 5.B04 5.B03 5.B02 5.B01

MOORING PLAN JETTY 5 <4,000 SDWT VESSELS

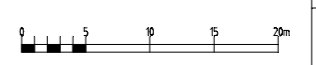
BOLLARD	BOLLARD CAPACITY	TYPE LINE
5-B01	50t	BOWLINE
5-B02	50t	SPRINGLINE
5-B03	50t	SPRINGLINE
5-B04	50t	SPRINGLINE
5-B05	50t	SPRINGLINE
5-B06	50t	STERNLINE

- NOTES:
- NO MIXED MOORING
 - NO MORE THAN 2 LINES PER BOLLARD
 - MINIMUM MOORING REQUIREMENTS:
 - SHIPS < 10,000 DWT: 2 HEAD- AND STERNLINES, 2 SPRINGLINES FWD AND AFT



EERSTE PETROLEUMHAVEN

rev.	date	description	status	APL
B	01-08-2016	OPNIEUW GETEKEND	DMS	746
for symbols and identification system		PK -	AK - ROOM	sheet numbering
REP 31.02.10 CHN. mechanical	plant			format
REP 31.02.10 CHN. instrumentation	unit		SCALE	A1
REP 31.02.10 CHN. electrical	valv	COU-5-C06	slipr. 15	REG. NR.
MOORING PLAN JETTY 5 FOR VESSELS OF 110m LENGTH				
reference	drawing	R-0415000	SHEET 1	of 1
R 0721976				
Shell Nederland Raff./Chemie b.v.				



A B C D E F

3